

Description

The PD293 series consists of two independent precision voltage comparators with an offset voltage specification as low as 1mV. The input common mode voltage range of these comparators includes ground, even when operated from a single power supply voltage. Operation from split power supplies is also possible and the low power supply current drain is independent of the magnitude of the power supply voltage.

The PD293 series is designed to directly interface with TTL and CMOS.

The PD293 series can be widely used in applications such as battery charger, cordless telephone, switching power supply, DC-DC module and PC motherboard.

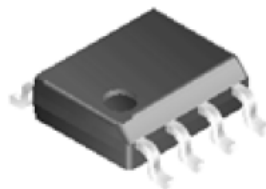
The PD293 series are available in standard packages of DIP-8 and SOIC-8.

Feature

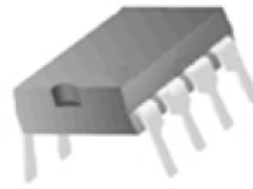
- Wide Supply Voltage Range
 - Single Supply:2.0V to 36V
 - Dual Supplies: $\pm 1.0V$ to $\pm 18V$
- Very Low Supply Current Drain:0.4mA
 - Independent of Supply Voltage
- Low Input Bias Current:25nA(Typical)
- Low Input Offset Current: $\pm 5nA$ (Typical)
- Low Input Offset Voltage: $\pm 1mV$ (Typical)
- Input Common Mode Voltage Range Includes Ground
- Differential Input Voltage Range Equals to the Power Supply Voltage
- Low Output Saturation Voltage:250mV at 4mA
- Open Collector Output

Application

- Battery Charger
- Cordless Telephone
- Switching Power Supply
- DC-DC Module
- PC Motherboard
- Communication Equipment



SOIC-8



DIP-8

Figure 1. Package Types of PD293

Pin Configuration

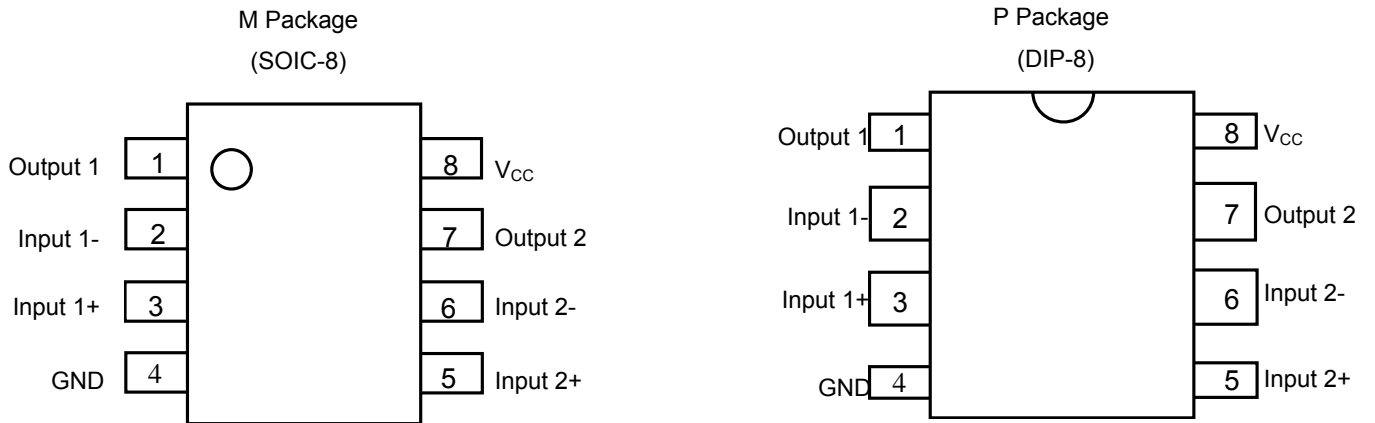


Figure 2. Pin Configuration of PD293 (Top View)

Functional Block Diagram

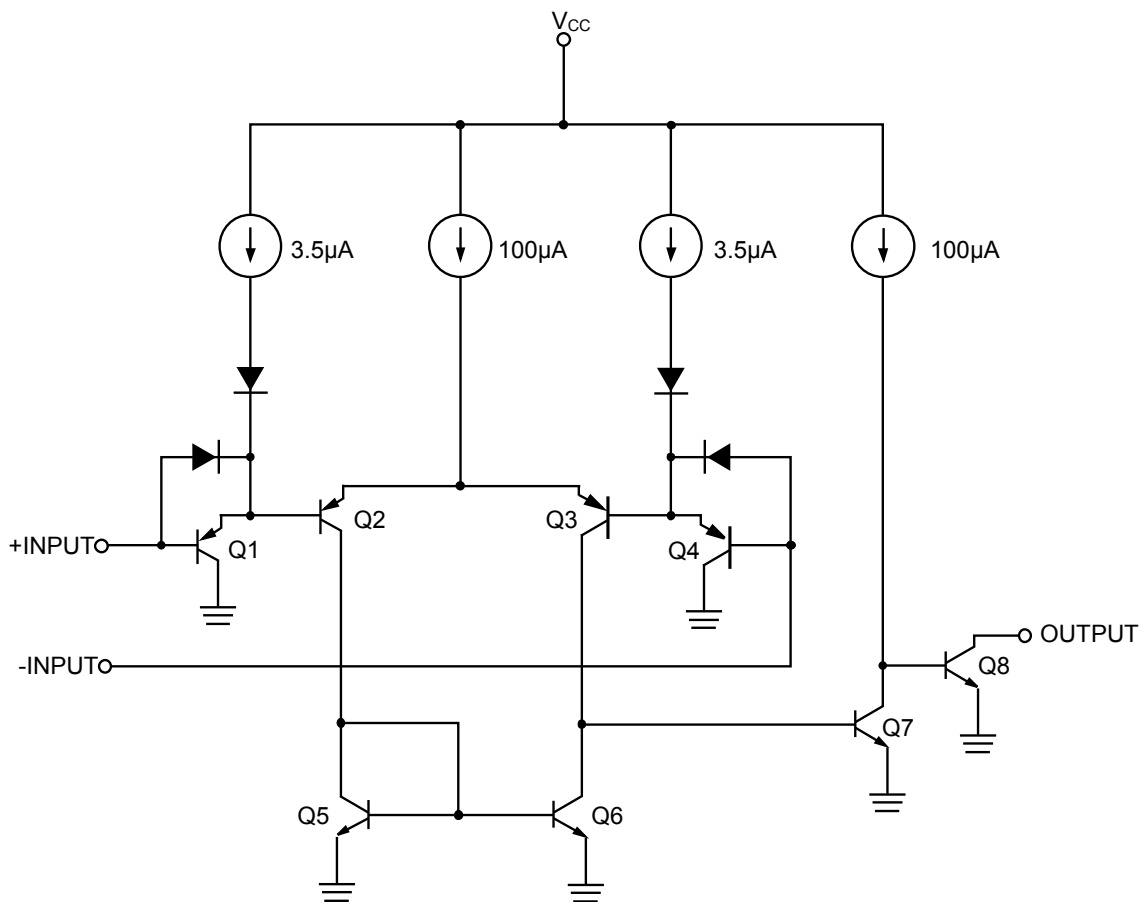


Figure 3. Functional Block Diagram of PD293 (Each Comparator)

Absolute Maximum Ratings(Note1,2)

Parameter	Symbol	Value		Unit
Supply Voltage	V_{CC}	36		V
Differential Input Voltage	V_{ID}	36		V
Input Voltage	V_{IN}	-0.3 to 36		V
Input Current($V_{IN}<-0.3V$)(Note 2)	I_{IN}	50		mA
Power Dissipation($T_A=25^\circ C$)	P_D	DIP-8	780	mW
		SOIC-8	660	
Output Short Circuit to Ground		Continuous		
Operating Junction Temperature	T_J	150		$^\circ C$
Storage Temperature Range	T_{STG}	-65 to 150		$^\circ C$
Lead Temperature (Soldering, 10 Seconds)	T_{LEAD}	260		$^\circ C$

Note 1: Stresses greater than those listed under "Absolute Maximum Ratings" may cause permanent damage to the device. These are stress ratings only, and functional operation of the device at these or any other conditions beyond those indicated under "Recommended Operating Conditions" is not implied. Exposure to "Absolute Maximum Ratings" for extended periods may affect device reliability.

Note 2: This input current will only exist when the voltage at any of the input leads is driven negative. It is due to the collector-base junction of the input PNP transistors becoming forward biased and thereby acting as input diode clamps. In addition to this diode action, there is also lateral NPN parasitic transistor action on the IC chip. This transistor action can cause the output voltages of the comparators to go to the $V+$ voltage level (or to ground for a large overdrive) for the time duration that an input is driven negative. This is not destructive and normal output states will re-establish when the input voltage, which was negative, again returns to a value greater than $-0.3 V_{DC}$ (at $25^\circ C$).

Recommended Operating Conditions

Parameter	Symbol	Min	Max	Unit
Supply Voltage	V_{CC}	2	36	V
Operating Temperature Range	T_A	-40	135	$^\circ C$

Electrical Characteristics

($V_{CC}=5V, GND=0V, T_A=25^{\circ}C$, unless otherwise specified.)

Parameter	Conditions	Min.	Typ.	Max.	Unit
Input Offset Voltage	(Note 3)		1.0	5.0	mV
Input Bias Current	I_{IN+} or I_{IN-} with output in linear range, $V_{CM}=0V$ (Note 4)		25	250	nA
Input Offset Current	$I_{IN+} - I_{IN-}, V_{CM}=0V$		5.0	50	nA
Input Common Mode Voltage Range	$V_{CC}=15V$ (Note 5)	0		$V_{CC}-1.5$	V
Supply Current	$R_L=\infty, V_{CC}=5V$		0.4	1.0	mA
	$R_L=\infty, V_{CC}=36V$		1.0	2.5	
Voltage Gain	$R_L \geq 15K\Omega, V_{CC}=15V, V_O=1V$ to 11V	50	200		V/mV
Large Signal Response Time	$V_{IN}=\text{TTL logic swing}, V_{REF}=1.4V, V_{RL}=5V, R_L=5.1 K\Omega$		300		ns
Response Time	$V_{RL}=5V, R_L=5.1 K\Omega$, (Note 6)		1.3		μs
Output Sink Current	$V_{IN-}=1V, V_{IN+}=0, V_O \leq 1.5V$	6.0	16		mA
Saturation Voltage	$V_{IN-}=1V, V_{IN+}=0, I_{SINK} \leq 4mA$		250	400	mV
Output Leakage Current	$V_{IN-}=0V, V_{IN+}=1V, V_O=5V$		0.1		nA
Thermal Resistance(Junction to Case)	DIP-8		89.42		$^{\circ}C/W$
	SOIC-8		132.00		

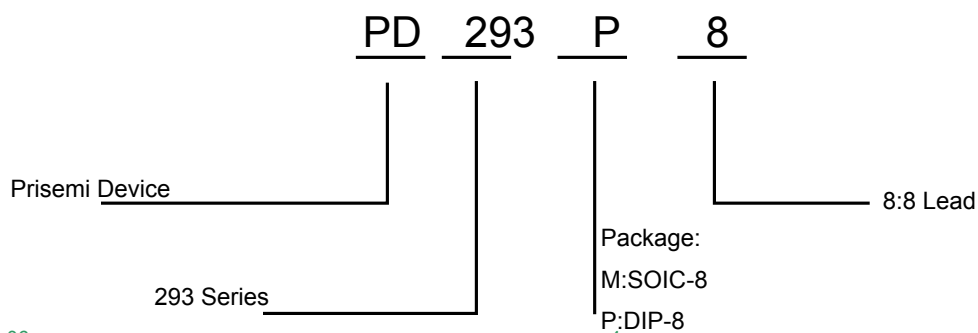
Note 3: At output switch point, $V_O=1.4V, R_S=0$ with V_{CC} from 5V to 30V, and over the full common-mode range (0V to $V_{CC}-1.5V$), at $25^{\circ}C$.

Note 4: The direction of the input current is out of the PNP input stage. This current is essentially constant, independent of the state of the output, so no loading charge exists on the reference of input lines.

Note 5: The input common-mode voltage of either input signal voltage should not be allowed to go negative by more than 0.3V. The upper end of the common-mode voltage range is $V_{CC}-1.5V$, but either or both inputs can go to +18V without damage, independent of the magnitude of V_{CC} .

Note 6: The response time specified is a 100mV input step with 5mV overdrive. For large overdrive signals 300ns can be obtained.

Naming Rule



Typical Performance Characteristics

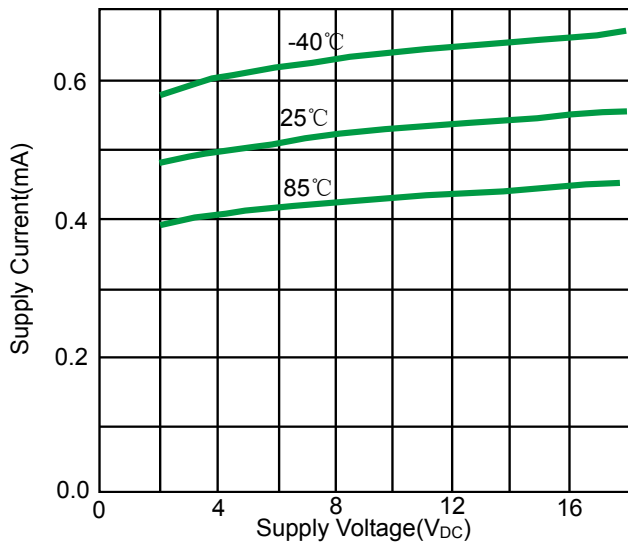


Figure 4. Supply Voltage vs. Supply Current

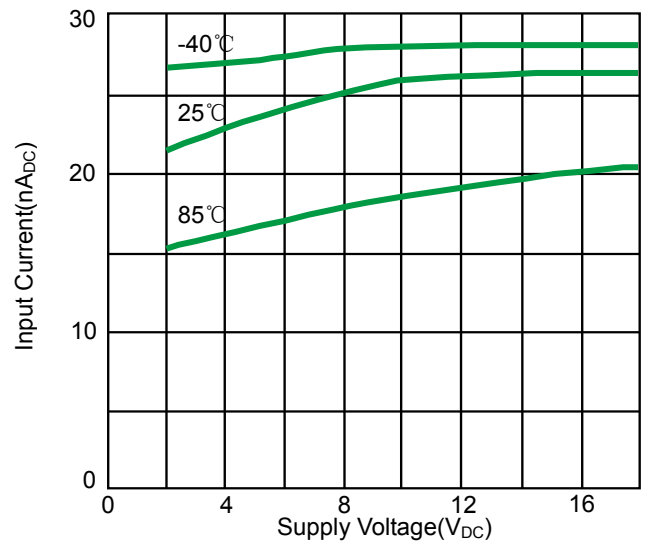


Figure 5. Supply Voltage vs. Input Current

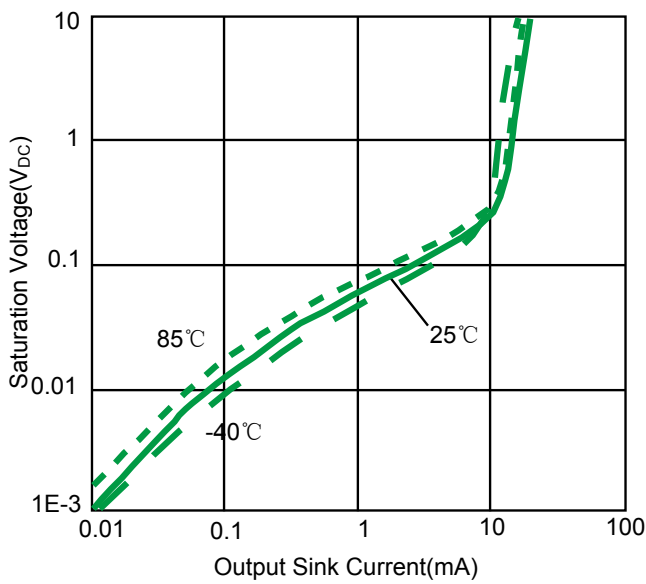


Figure 6. Output Sink Current vs. Saturation Voltage

Typical Application

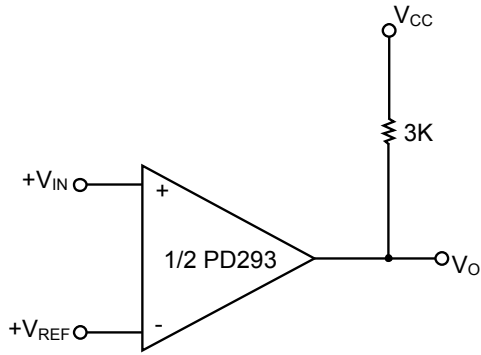


Figure 7. Basic Comparator

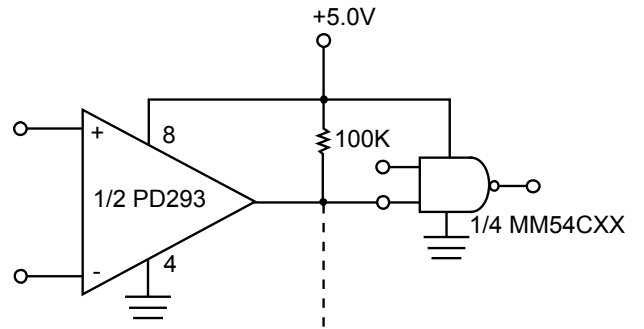


Figure 8. Driving CMOS/TTL

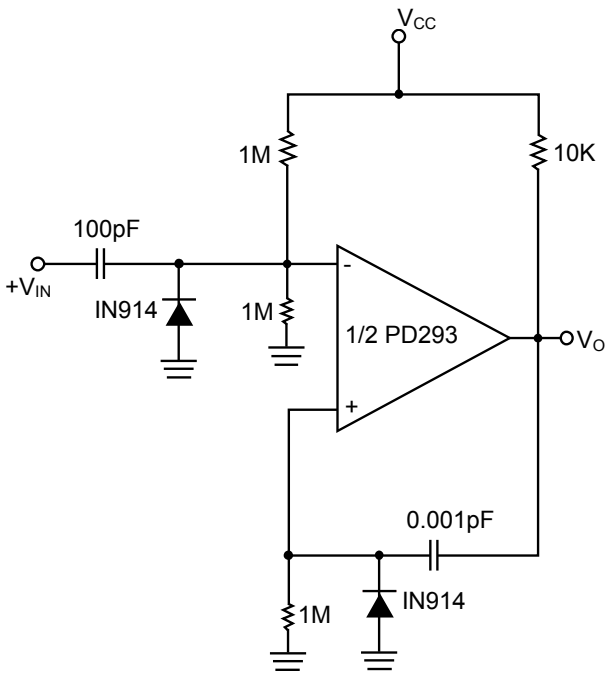


Figure 9. One Shot Multivibrator

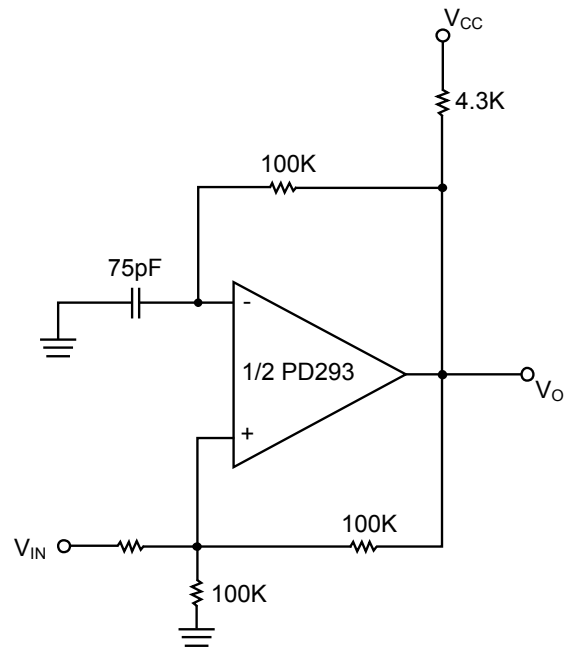
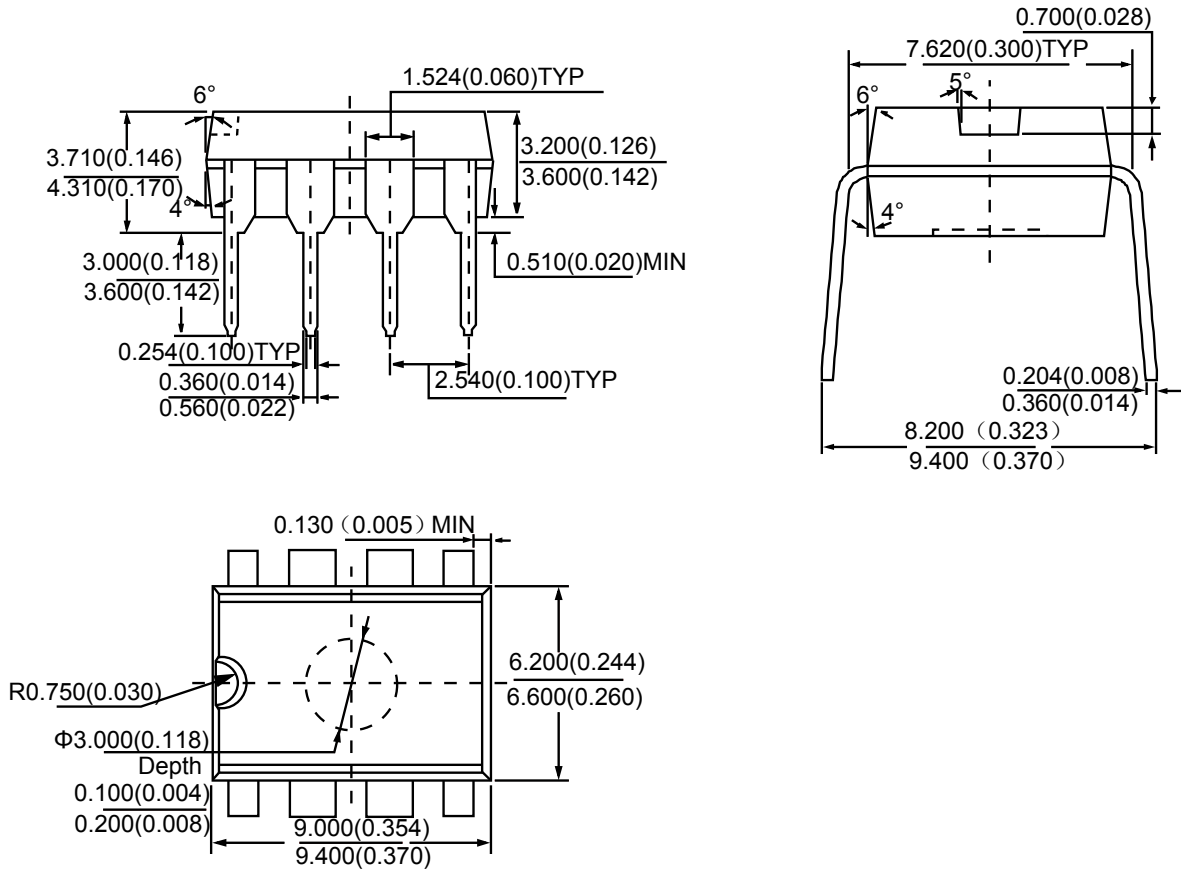


Figure 10. Square wave Oscillator

Mechanical Dimensions(DIP-8)

DIP-8

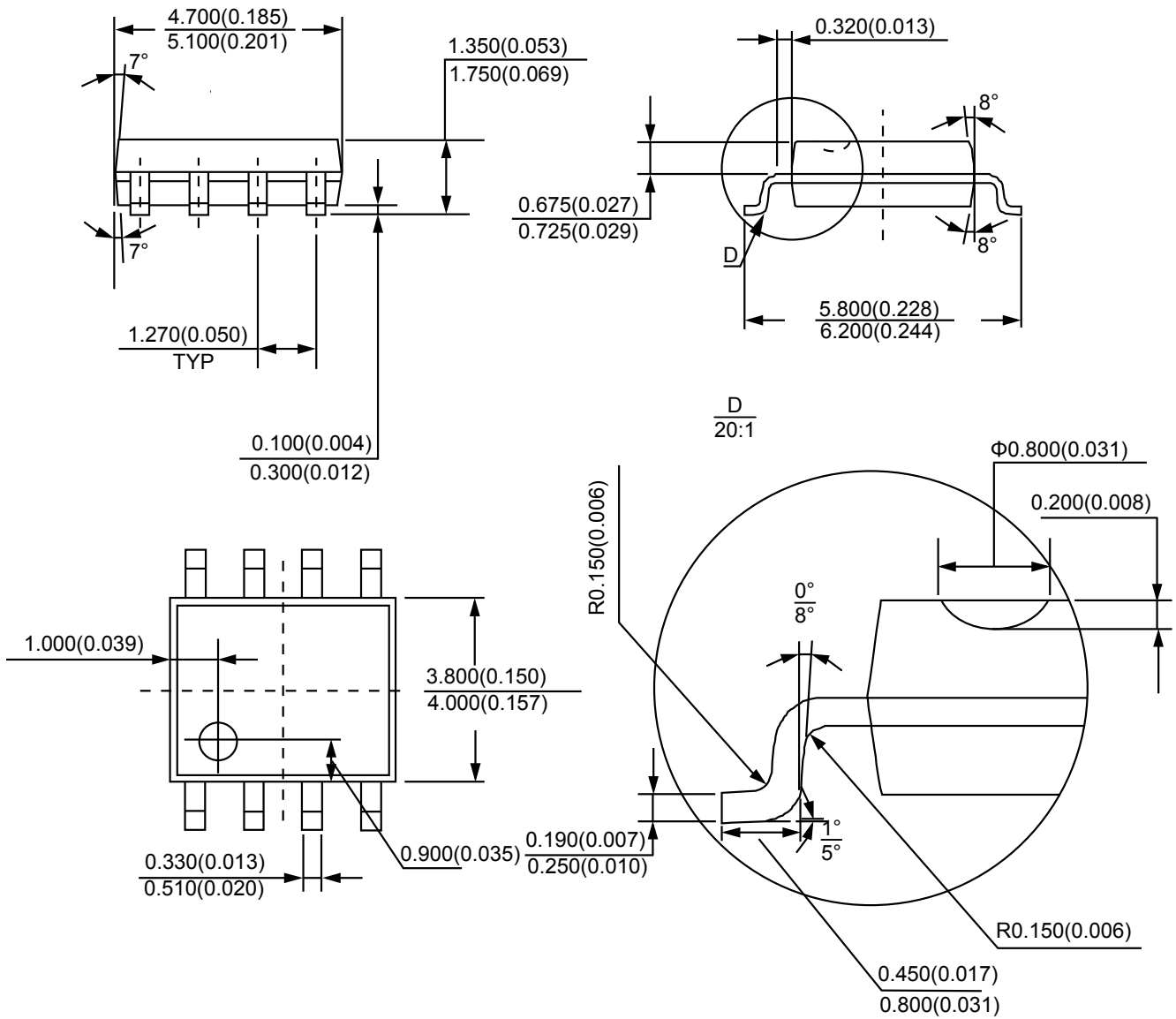
Unit:mm(inch)




Mechanical Dimensions(SOIC-8)

SOIC-8

Unit:mm(inch)




IMPORTANT NOTICE

 and **Prisemi**[®] are registered trademarks of **Prisemi Electronics Co., Ltd (Prisemi)** ,Prisemi reserves the right to make changes without further notice to any products herein. Prisemi makes no warranty, representation or guarantee regarding the suitability of its products for any particular purpose, nor does Prisemi assume any liability arising out of the application or use of any product or circuit, and specifically disclaims any and all liability, including without limitation special, consequential or incidental damages. "Typical" parameters which may be provided in Prisemi data sheets and/or specifications can and do vary in different applications and actual performance may vary over time. All operating parameters, including "Typicals" must be validated for each customer application by customer's technical experts. Prisemi does not convey any license under its patent rights nor the rights of others. The products listed in this document are designed to be used with ordinary electronic equipment or devices, Should you intend to use these products with equipment or devices which require an extremely high level of reliability and the malfunction of with would directly endanger human life (such as medical instruments, aerospace machinery, nuclear-reactor controllers, fuel controllers and other safety devices), please be sure to consult with our sales representative in advance.

Website: <http://www.prisemi.com>

For additional information, please contact your local Sales Representative.

©Copyright 2009, Prisemi Electronics

 **Prisemi**[®] registered trademark of Prisemi Electronics.

All rights are reserved.