

**Description**

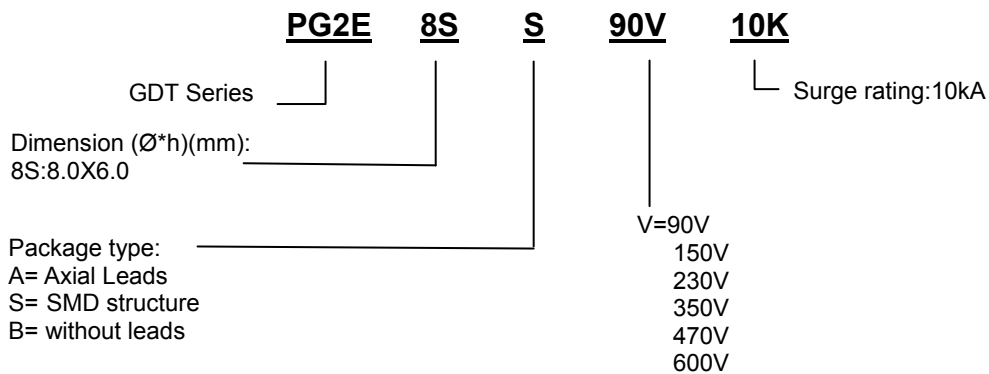
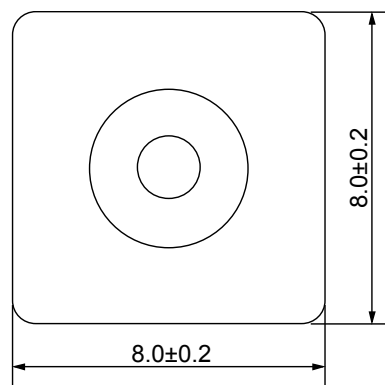
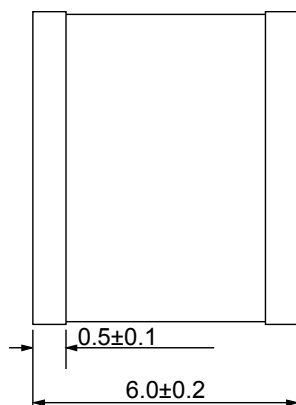
Prisemi GDT's are designed for a high degree of surge protection at a low cost. It operates on the gas physical principle of the highly effective arc discharge. The PG2E8SSxxV10K is used for protecting equipment for which higher voltage limits and holdover voltages are necessary. Com-gaps function as switches which dissipate a mini-mum amount of energy and therefore handle currents that far surpass other types of transient voltage protection.

**Features**

- Small size
- Very fast response time
- Suitable for direct strikes
- Stable performance over life
- Very low capacitance
- High insulation resistance

**Application**

- Communication lines
- CATV equipment
- Test equipment
- Data lines, power supply
- Base station
- Medical electronics


**Explanation of Part Number**

**Dimensional drawing(8.0mmX6.0mm)**


Unit:mm

**PG2E8SSXXV10K Series –Performance Specification**

Model	DC Spark Over Voltage (V)	Impulse Spark Over Voltage (V)	Impulse Discharge Current (KA)	AC Discharge Current (A)	Capacitance (Pf)	Insulation Resistance	
	100V/S	1KV/us	@8/20us 10hits	50HZ / 1s 5hits	@1MHZ	GΩ	DC(V)
PG2E8SS75V10K	75	≤600	10	10	<1.5	≥1	25
PG2E8SS90V10K	90	≤600	10	10	<1.5	≥1	50
PG2E8SS150V10K	150	≤700	10	10	<1.0	≥1	50
PG2E8SS230V10K	230	≤800	10	10	<1.0	≥1	100
PG2E8SS350V10K	350	≤800	10	10	<1.0	≥1	100
PG2E8SS470V10K	470	≤900	10	10	<1.0	≥1	250
PG2E8SS600V10K	600	≤1200	10	10	<1.0	≥1	250


**IMPORTANT NOTICE**

 and **Prisemi**<sup>®</sup> are registered trademarks of **Prisemi Electronics Co., Ltd** (Prisemi). Prisemi reserves the right to make changes without further notice to any products herein. Prisemi makes no warranty, representation or guarantee regarding the suitability of its products for any particular purpose, nor does Prisemi assume any liability arising out of the application or use of any product or circuit, and specifically disclaims any and all liability, including without limitation special, consequential or incidental damages. “Typical” parameters which may be provided in Prisemi data sheets and/or specifications can and do vary in different applications and actual performance may vary over time. All operating parameters, including “Typicals” must be validated for each customer application by customer’s technical experts. Prisemi does not convey any license under its patent rights nor the rights of others. The products listed in this document are designed to be used with ordinary electronic equipment or devices, Should you intend to use these products with equipment or devices which require an extremely high level of reliability and the malfunction of with would directly endanger human life (such as medical instruments, aerospace machinery, nuclear-reactor controllers, fuel controllers and other safety devices), please be sure to consult with our sales representative in advance.

Website: <http://www.prisemi.com>

For additional information, please contact your local Sales Representative.

©Copyright 2009, Prisemi Electronics

 **Prisemi**<sup>®</sup> is a registered trademark of Prisemi Electronics.

All rights are reserved.