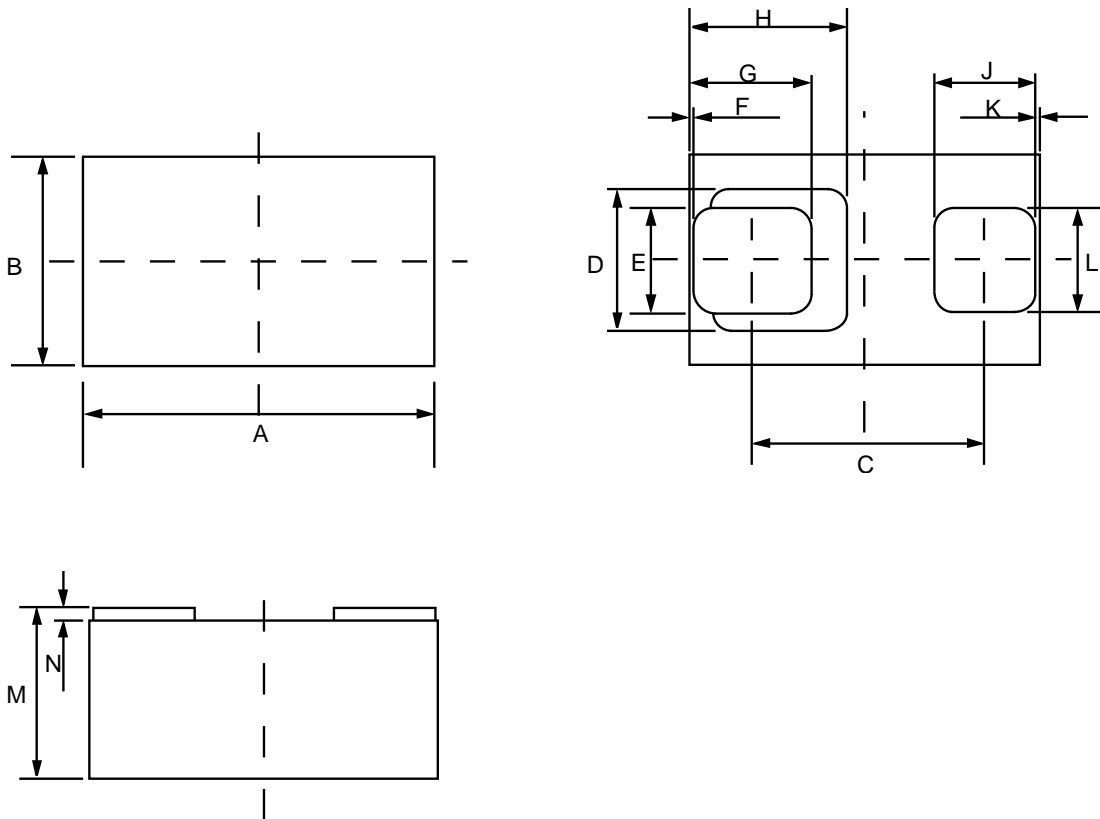


Product dimension (WBFBP-02C)


Dim	Millimeters		Inches	
	MIN	MAX	MIN	MAX
A	0.950	1.050	0.037	0.041
B	0.550	0.650	0.022	0.026
C	0.600	0.750	0.024	0.030
D	0.400REF		0.016REF	
E	0.250	0.350	0.010	0.014
F	0.010REF		0.000REF	
G	0.320	0.450	0.013	0.018
H	0.450REF		0.017REF	
J	0.250	0.350	0.010	0.014
K	0.010REF		0.000REF	
L	0.250	0.350	0.010	0.014
M	0.450	0.550	0.018	0.022
N	0.010	0.090	0.000	0.004