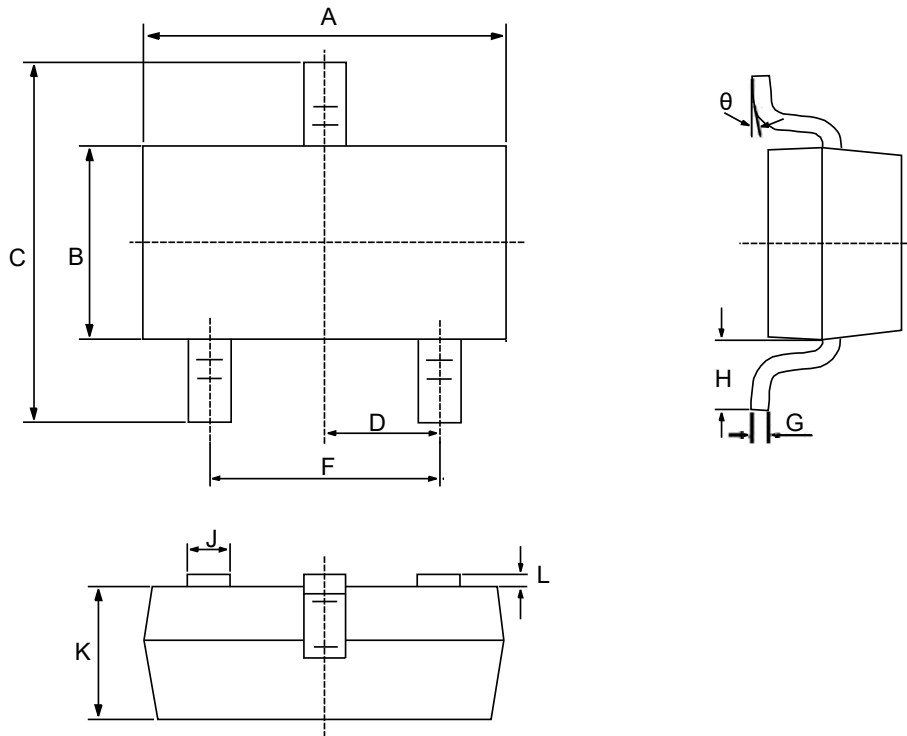
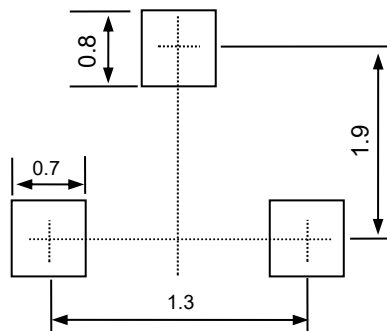


Product dimension (SOT-323)


Dim	Millimeters	
	MIN	MAX
A	1.80	2.20
B	1.15	1.35
C	2.00	2.45
D	0.65BSC	
F	1.20	1.40
G	0.05	0.25
H	0.525REF	
J	0.20	0.40
K	0.80	1.10
L	0.00	0.10
θ	0°	10°


Suggested PCB Layout