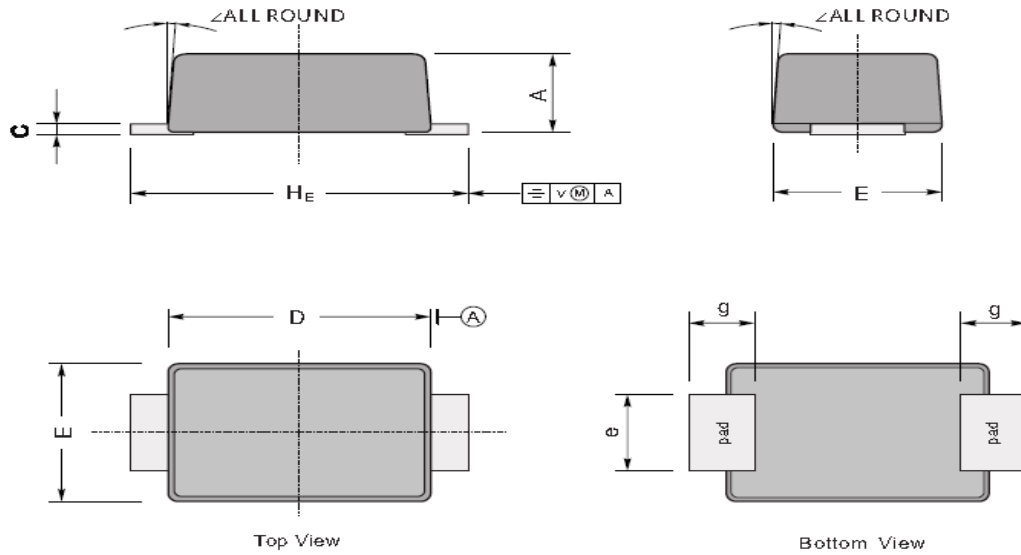
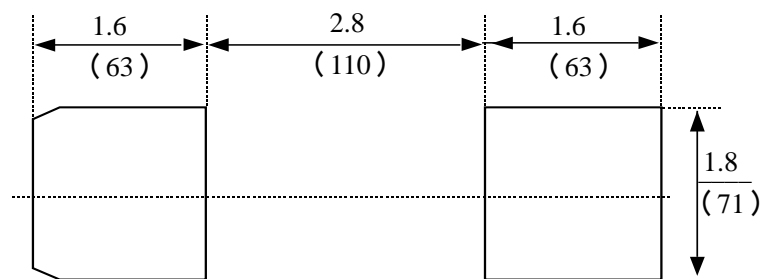


Product dimension (SMAF)



UNIT		A	C	D	E	e	g	H_E	\angle
mm	max	1.3	0.23	3.7	2.7	1.6	1.3	4.9	7°
	min	1.1	0.18	3.3	2.4	1.3	1.0	4.4	
mil	max	51	9.1	146	106	63	51	193	
	min	43	7.1	130	94	51	39	173	

The recommended mounting pad size



Unit: $\frac{\text{mm}}{\text{(mil)}}$