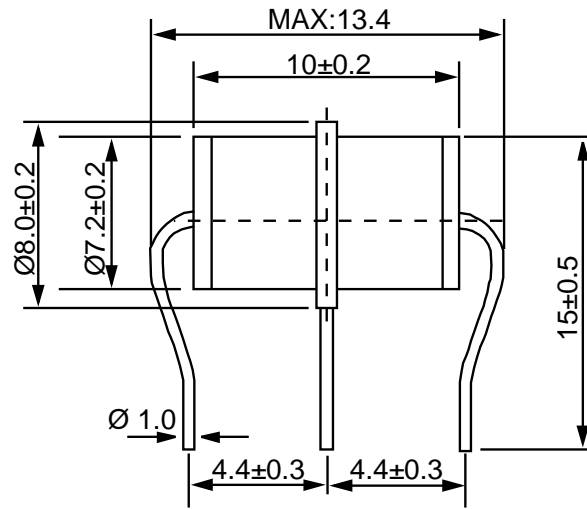


Product dimension (8.0\*10mm)



Unit: mm