

**Description**

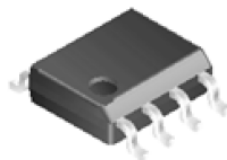
The PD358 consists of two independent, high gain and internally frequency compensated operational amplifiers, it is specifically designed to operate from a single power supply. Operation from split power supply is also possible and the low power supply current drain is independent of the magnitude of the power supply voltages.

**Feature**

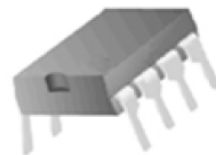
- Internally Frequency Compensated for Unity Gain
- Large Voltage Gain: 100dB(Typical)
- Low Input Bias Current: 20nA(Typical)
- Low Input Offset Voltage: 2mV(Typical)
- Low Supply Current: 0.5mA(Typical)
- Wide Power Supply Voltage Range:  
Single Supply: 3V to 18V  
Dual Supplies:  $\pm 1.5V$  to  $\pm 9V$
- Input Common Mode Voltage Range Includes Ground
- Large Output Voltage Swing: 0V to  $V_{CC}-1.5V$
- Power Drain Suitable for Battery Operation

**Application**

- Battery Charger
- Cordless Telephone
- Switching Power Supply



SOIC-8



DIP-8

Figure 1. Package Types of PD358

**Pin Configuration**

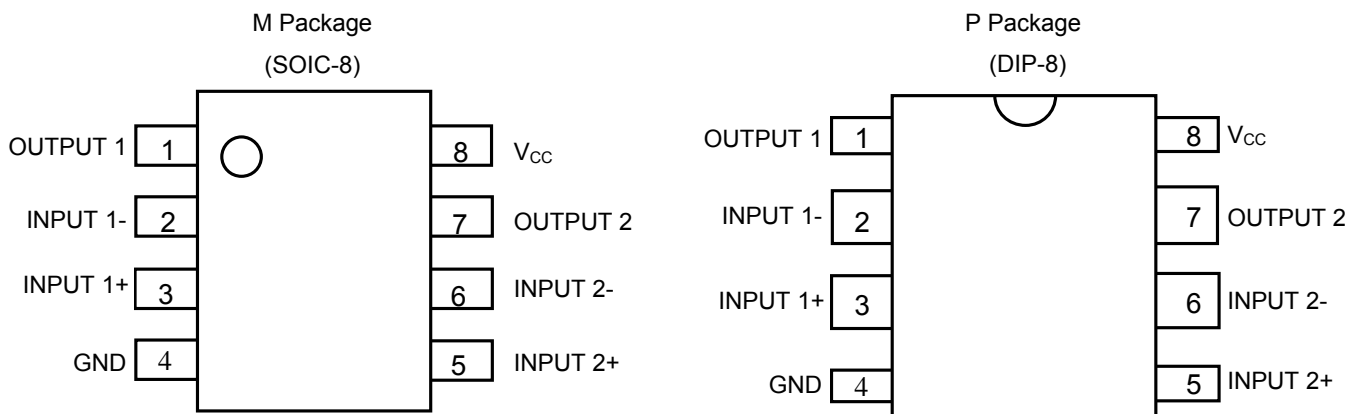
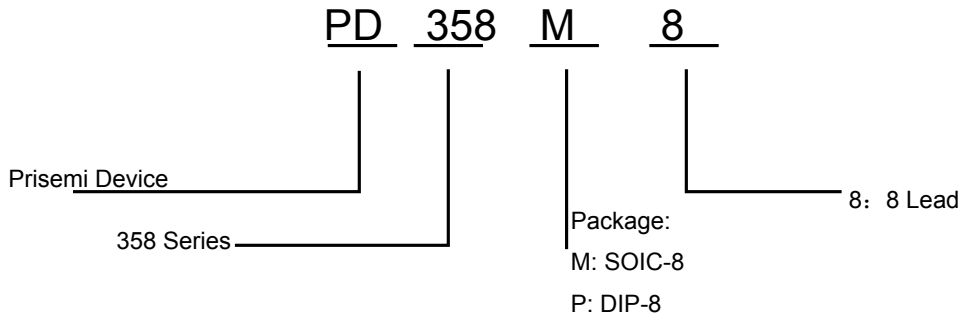


Figure 2. Pin Configuration of PD358 (Top View)

Naming Rule



Functional Block Diagram

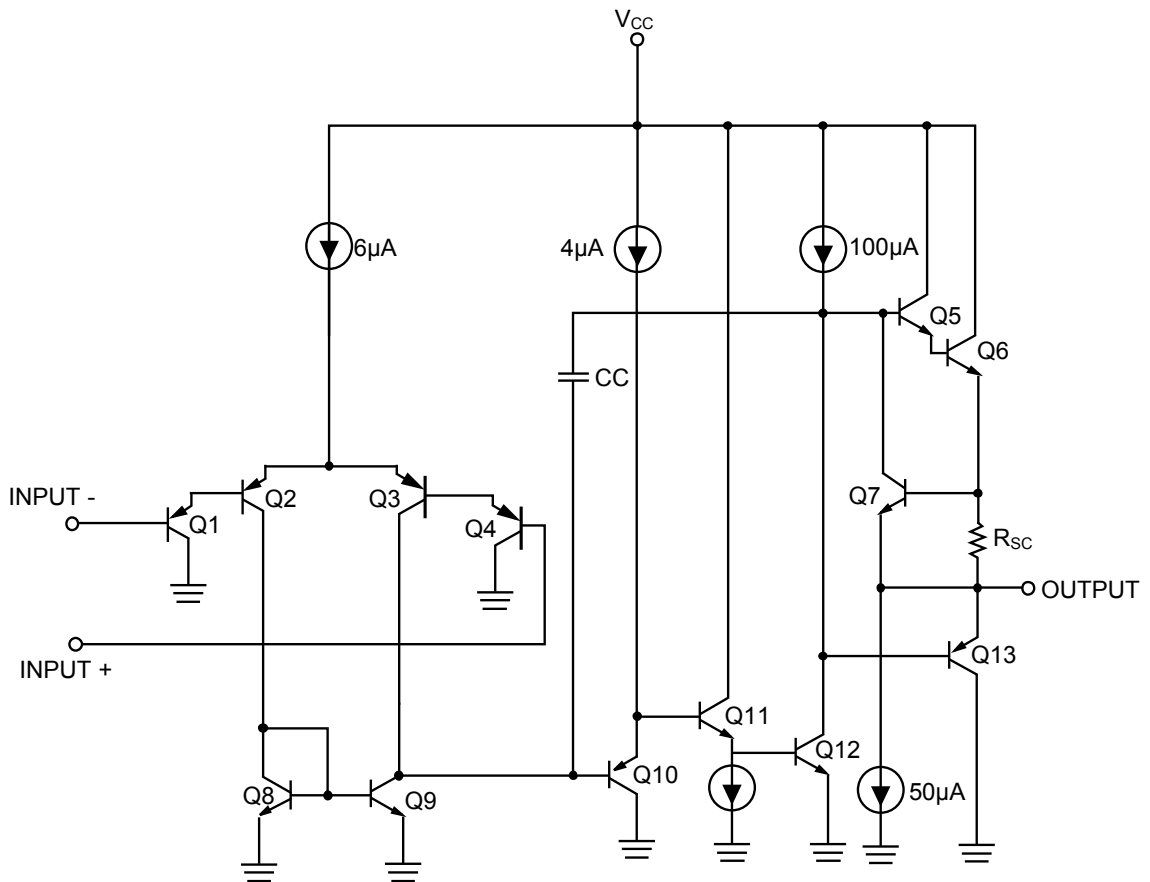


Figure 3. Functional Block Diagram of PD358 (Each Amplifier)

**Absolute Maximum Ratings(Note1)**

Parameter	Symbol	Value		Unit
Power Supply Voltage	$V_{CC}$	20		V
Differential Input Voltage	$V_{ID}$	20		V
Input Voltage	$V_{IC}$	-0.3 to 20		V
Input Current( $V_{IN}<-0.3V$ )(Note 2)	$I_{IN}$	50		mA
Output Short Circuit to Ground (One Amplifier)(Note 3) $V_{CC}\leq 12V$ and $T_A=25^\circ C$		Continuous		
Power Dissipation( $T_A=25^\circ C$ )	$P_D$	DIP-8	830	mW
		SOIC-8	550	
Operating Junction Temperature	$T_J$	150		$^\circ C$
Storage Temperature Range	$T_{STG}$	-65 to 150		$^\circ C$
Lead Temperature(Soldering, 10 Seconds)	$T_{LEAD}$	260		$^\circ C$

**Note 1:** Stresses greater than those listed under "Absolute Maximum Ratings" may cause permanent damage to the device. These are stress ratings only and functional operation of the device under these conditions is not implied. Exposure to "Absolute Maximum Ratings" for extended periods may affect device reliability.

**Note 2:** This input current will only exist when the voltage at any of the input leads is driven negative. It is due to the collector-base junction of the input PNP transistors becoming forward biased and thereby acting as input diode clamps. In addition to this diode action, there is also lateral NPN parasitic transistor action on the IC chip. This transistor action can cause the output voltages of the op amps to go to the  $V_{CC}$  voltage level (or to ground for a large overdrive) for the time duration that an input is driven negative. This is not destructive and normal output states will re-establish when the input voltage, which was negative, again returns to a value greater than -0.3V (at 25 $^\circ C$ ).

**Note 3:** Short circuits from the output to  $V_{CC}$  can cause excessive heating and eventual destruction. When considering short circuits to ground, the maximum output current is approximately 40mA independent of the magnitude of  $V_{CC}$ . At values of supply voltage in excess of +12V, continuous short circuits can exceed the power dissipation ratings and cause eventual destruction. Destructive dissipation can result from simultaneous shorts on all amplifiers.

**Recommended Operating Conditions**

Parameter	Symbol	Min	Max	Unit
Supply Voltage	$V_{CC}$	3	18	V
Ambient Operating Temperature Range	$T_A$	-40	85	$^\circ C$

**Electrical Characteristics**

( $V_{CC}=5V$ ,  $GND=0$ ,  $T_A=25^{\circ}C$  unless otherwise specified.)

Parameter	Symbol	Conditions	Min.	Typ.	Max.	Unit	
Input Offset Voltage	$V_{IO}$	$V_O=1.4V, R_S=0\Omega$ , $V_{CC}=5V$ to $15V$		2	7	mV	
Input Bias Current(Note 4)	$I_{BIAS}$	$I_{IN+}$ or $I_{IN-}, V_{CM}=0V$		20	250	nA	
Input Offset Current	$I_{IO}$	$I_{IN+} - I_{IN-}, V_{CM}=0V$		5	50	nA	
Input Common Mode Voltage Range(Not 5)	$V_{IR}$	$V_{CC}=15V$	0		$V_{CC}$ -1.5	V	
Supply Current	$I_{CC}$	$R_L=\infty$ , Over full temperature range on all OP Amps	$V_{CC}=15V$	0.7	1.5	mA	
			$V_{CC}=5V$	0.5	1.2		
Large Signal Voltage Gain	$G_V$	$V_{CC}=15V, R_L \geq 2K\Omega, V_O=1V$ to $11V$	85	100		dB	
Common Mode Rejection Ratio	CMRR	$V_{CM}=0V$ to $(V_{CC}-1.5)V$	65	90		dB	
Power Supply Rejection Ratio	PSRR	$V_{CC}=5V$ to $15V$	65	90		dB	
Channel Separation(Note 6)	CS	$f=1KHz$ to $20KHz$		120		dB	
Output Current	Source	$I_{SOURCE}$	$V_{IN+}=1V, V_{IN-}=0V, V_{CC}=15V, V_O=2V$	20	40		mA
	Sink	$I_{SINK}$	$V_{IN+}=0V, V_{IN-}=1V, V_{CC}=15V, V_O=2V$	10	18		mA
			$V_{IN+}=0V, V_{IN-}=1V, V_{CC}=15V, V_O=0.2V$	12	50		$\mu A$
Output Short Circuit to Ground	$I_{SC}$	$V_{CC}=15V$		40	60	mA	
Output Voltage Swing	$V_{OH}$		$V_{CC}=15V, R_L=2K\Omega$	12			V
			$V_{CC}=15V, R_L=10 K\Omega$	12.5	13.5		
	$V_{OL}$	$V_{CC}=5V, R_L=10 K\Omega$		5	20		mV
Thermal Resistance (Junction to Case)	$\theta_{JC}$	DIP-8		66.96		$^{\circ}C/W$	
		SOIC-8		98.84			

**Note 4:** The direction of the input current is out of the IC due to the PNP input stage. This current is essentially constant, independent of the state of the output so no loading change exists on the input lines.

**Note 5:** The input common-mode voltage of either input signal voltage should not be allowed to go negatively by more than 0.3V (at 25°C). The upper end of the common-mode voltage range is  $V_{CC}-1.5V$  (at 25°C), but either or both inputs can go to +18V without damages, independent of the magnitude of the  $V_{CC}$ .

**Note 6:** Due to proximity of external components, insure that coupling is not originating via stray capacitors between these external parts. This typically can be detected as this type of capacitance increases at higher frequencies.

Typical Performance Characteristics

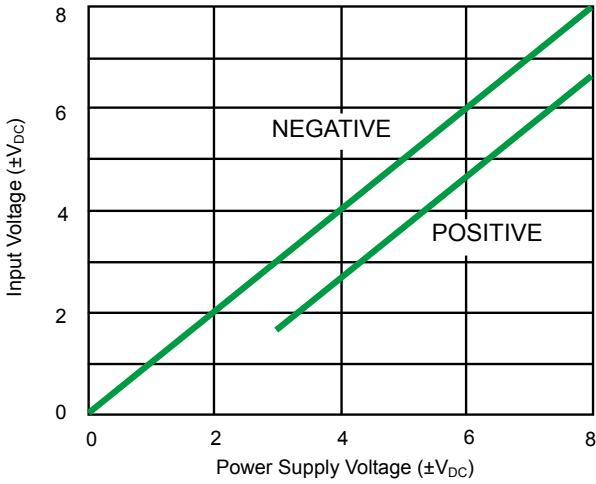


Fig 4. Input Voltage Range

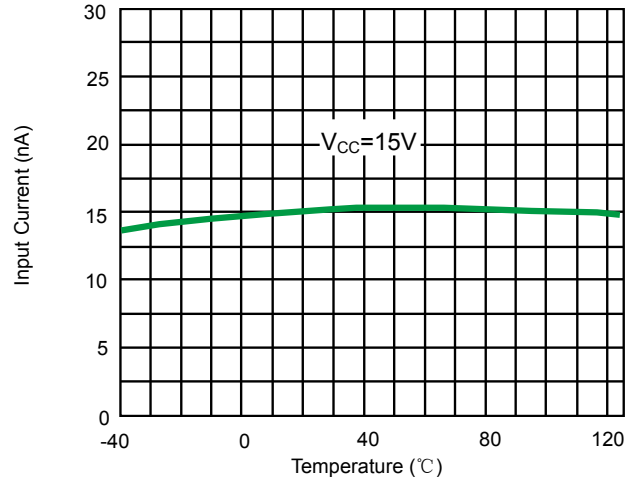


Fig 5. Input Current

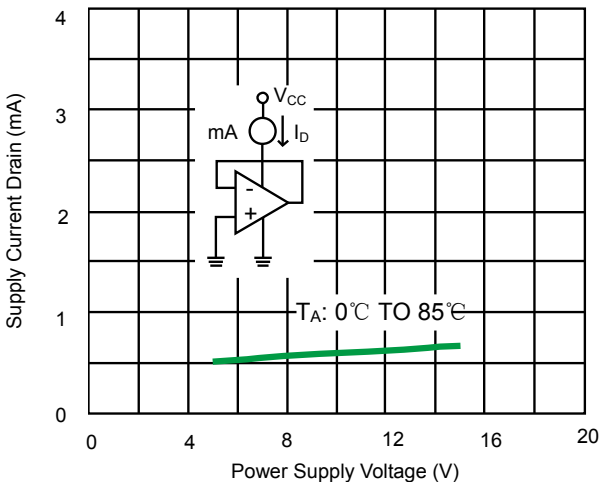


Fig 6. Supply Current

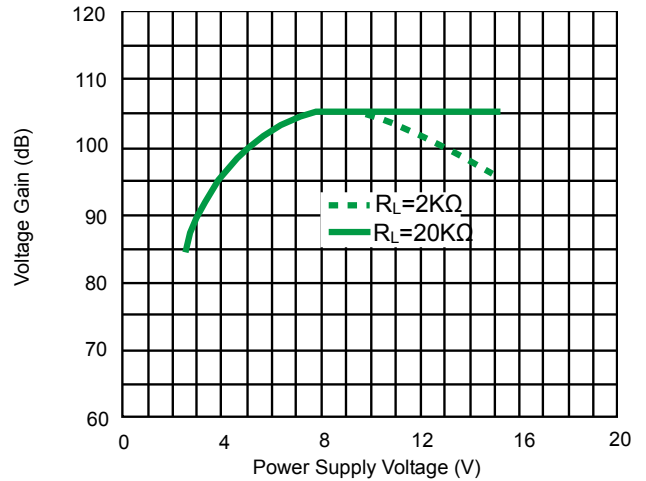


Fig 7. Voltage Gain

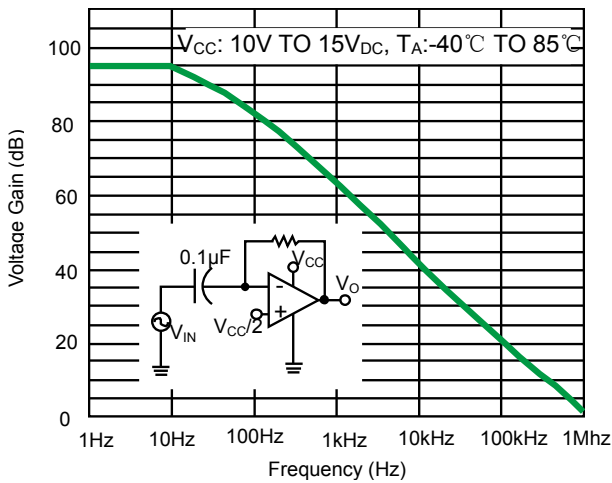


Fig 8. Open Loop Frequency Response

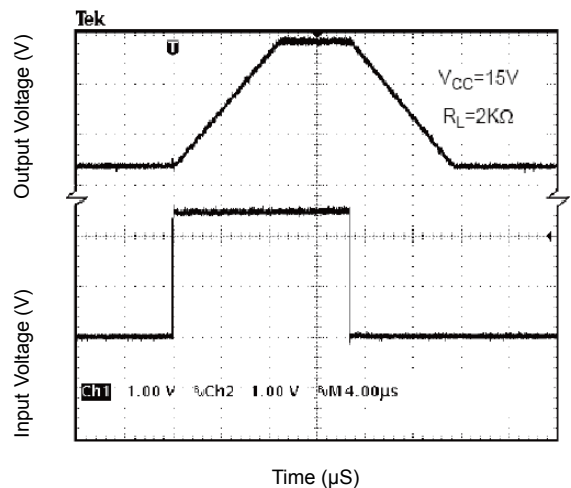


Fig 9. Voltage Follower Pulse Response

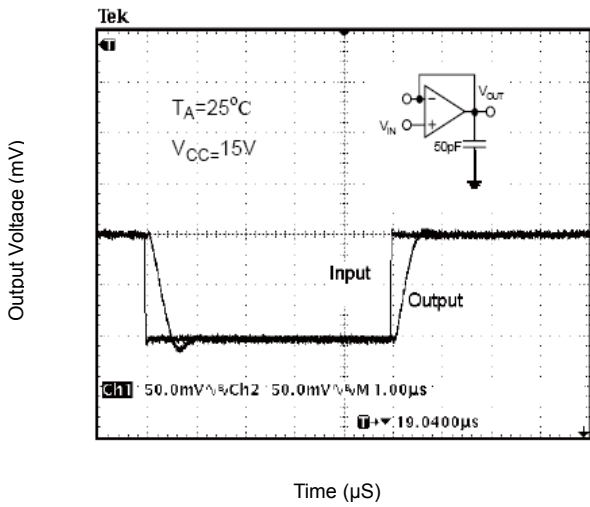


Fig 10. Voltage Follower Pulse Response (Small Signal)

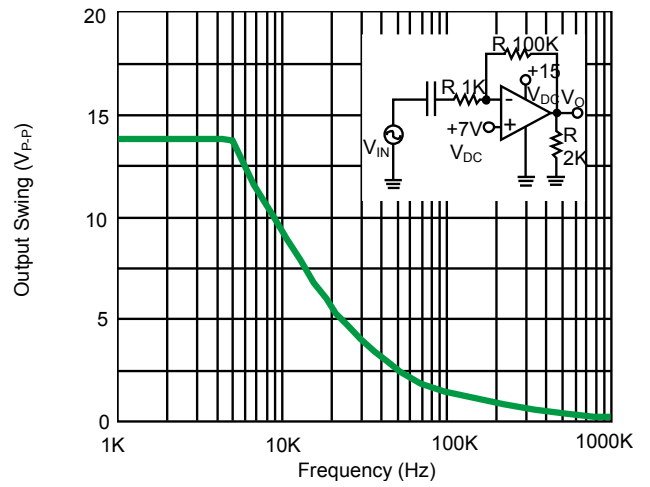


Fig 11. Large Signal Frequency Response

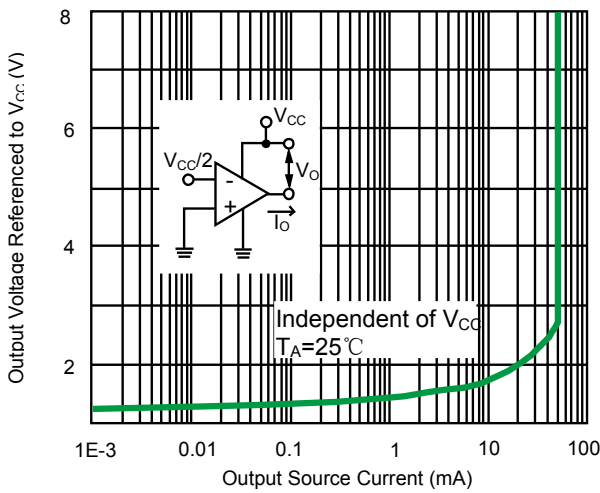


Fig 12. Output Characteristics Current Sourcing

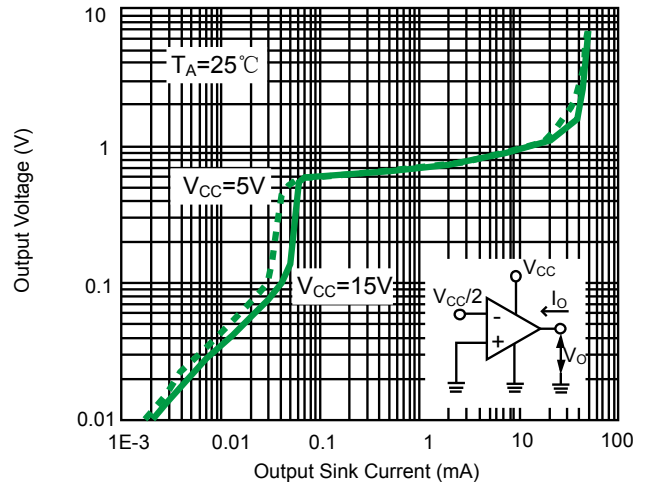


Fig 13. Output Characteristics Current Sinking

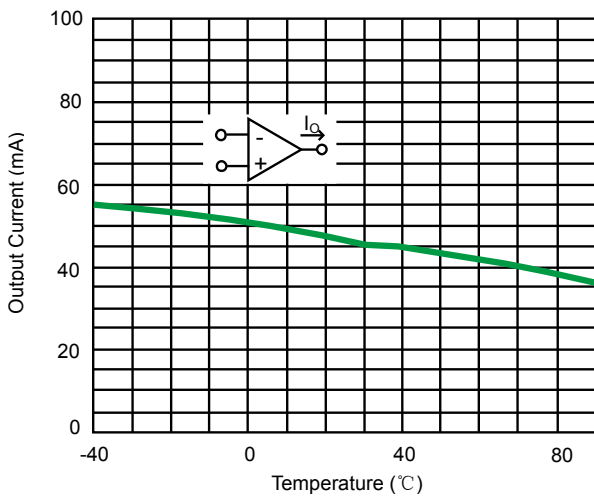


Fig 14. Current Limiting

Typical Application

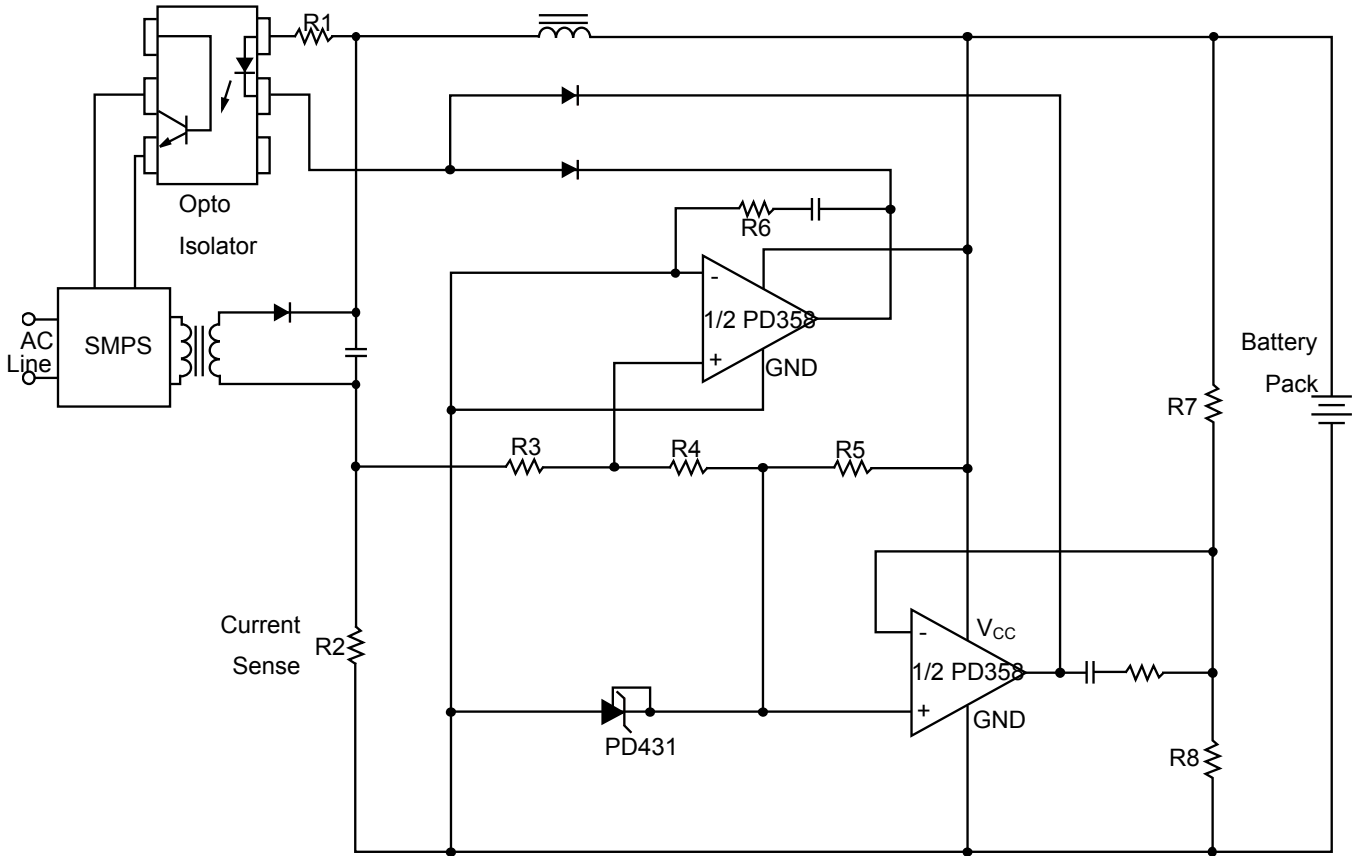


Figure 15. Battery Charger

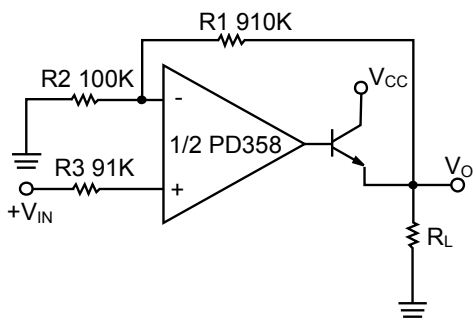


Figure 16. Power Amplifier

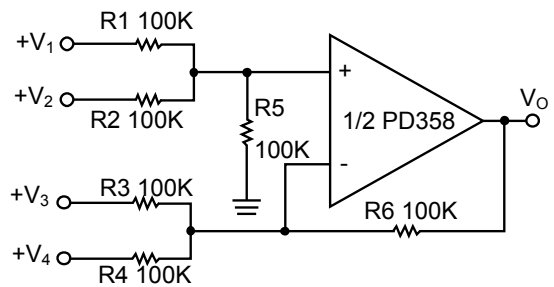


Figure 17. DC Summing Amplifier

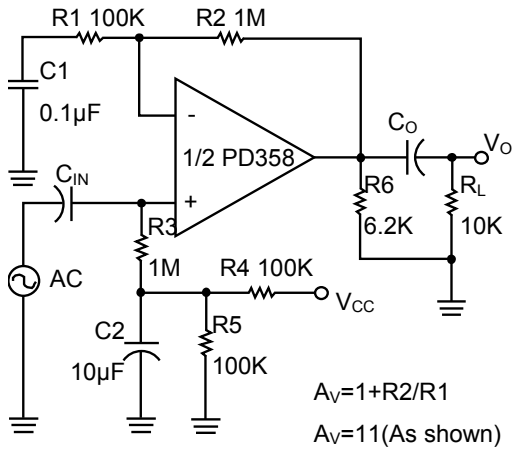


Figure 18. AC Coupled Non-Inverting Amplifier

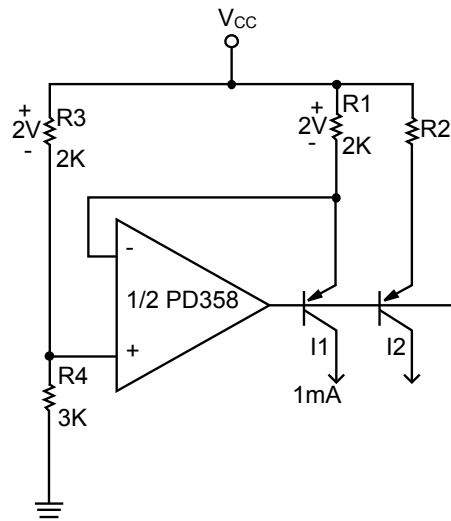


Figure 19. Fixed Current Sources

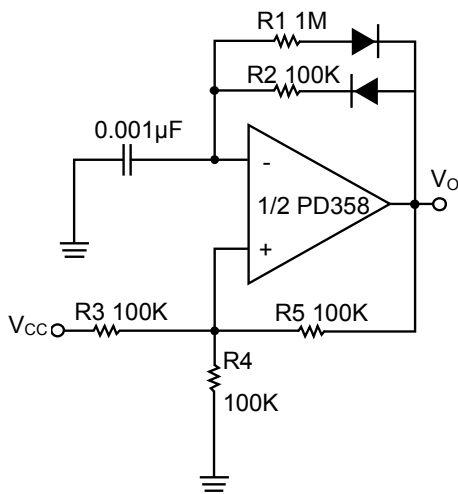


Figure 20. Pulse Generator

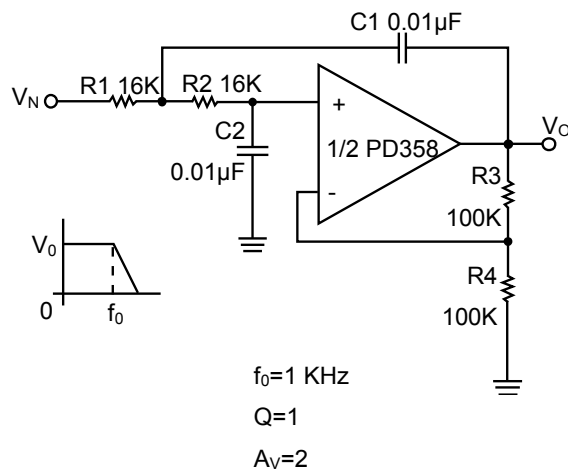
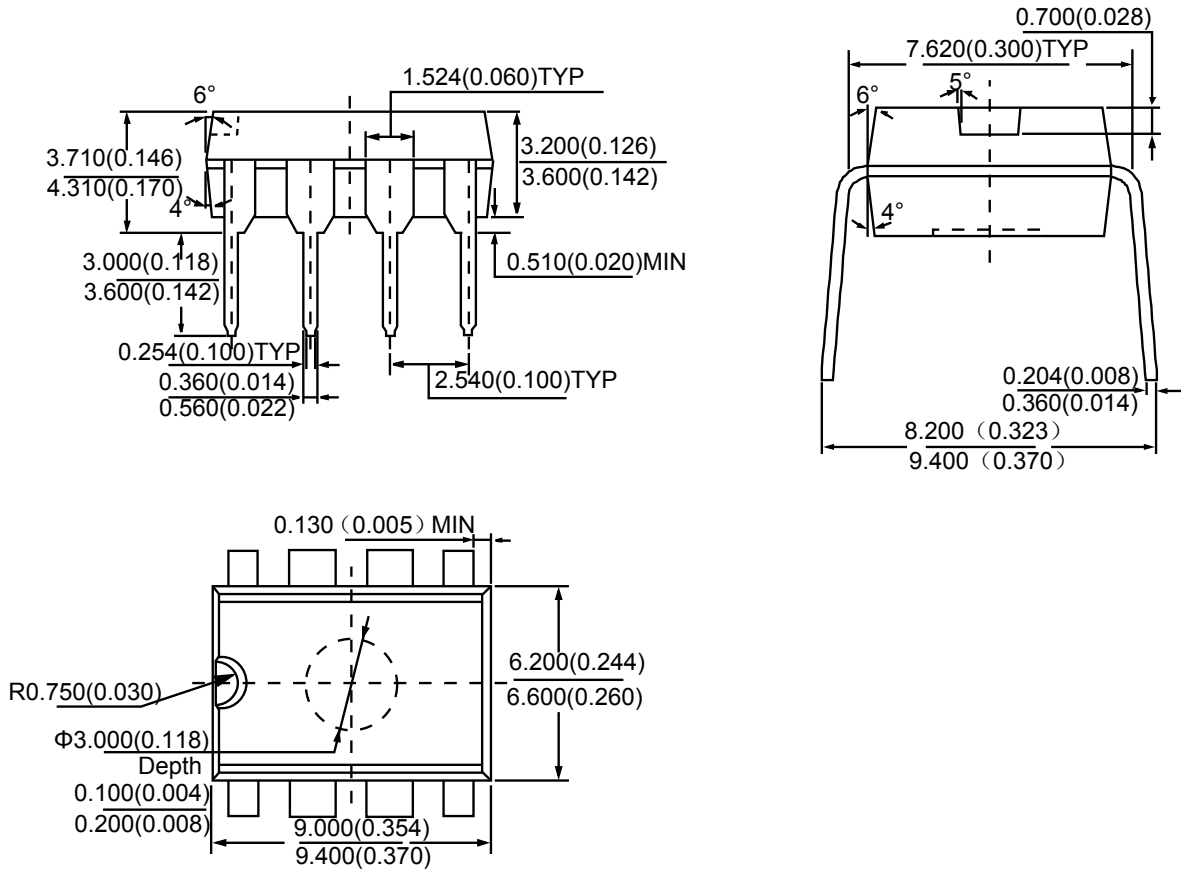


Figure 21. DC Coupled Low-Pass Active Filter



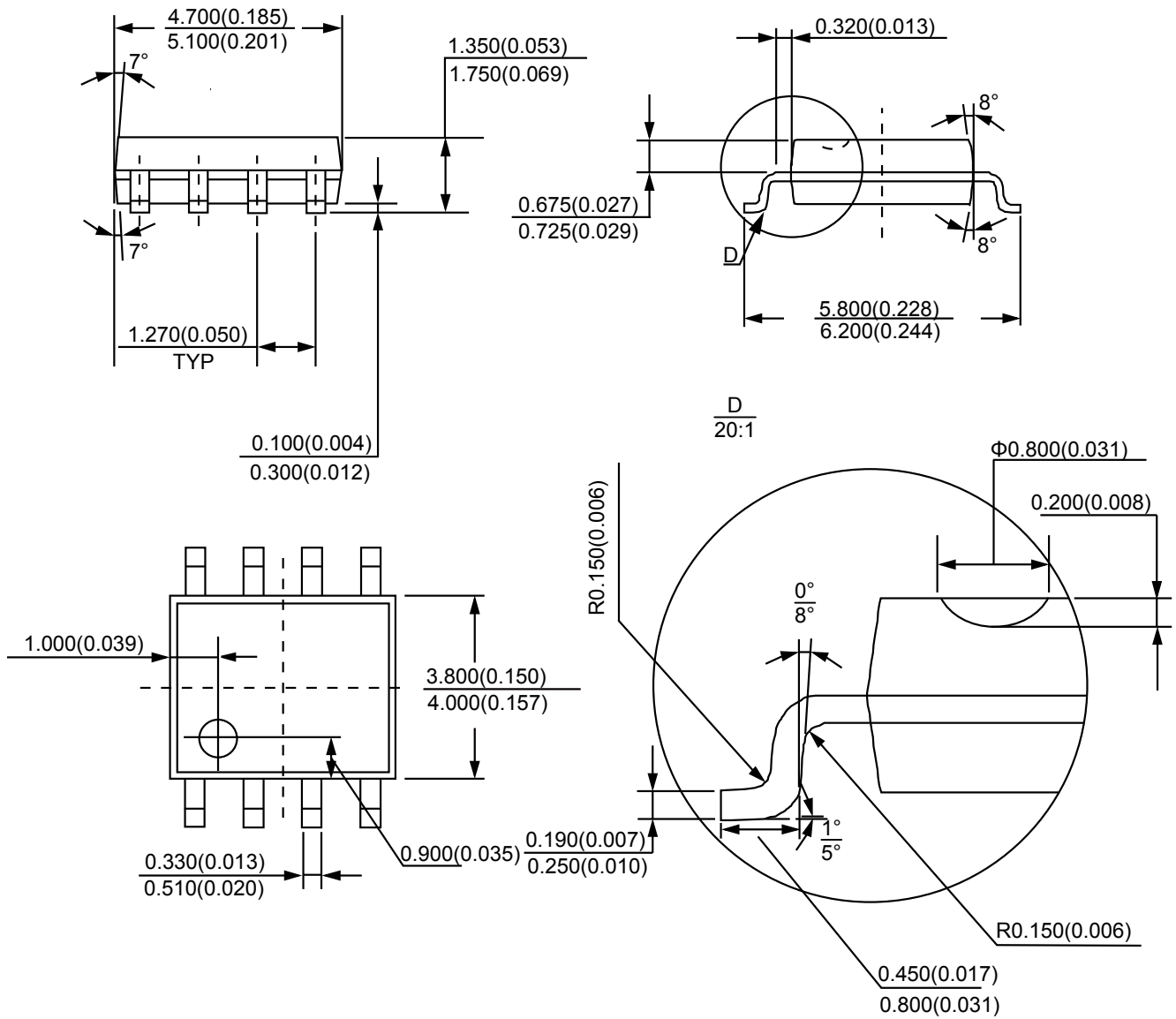
Product dimension (DIP-8)

Unit: mm (inch)




Product dimension (SOIC-8)

Unit: mm (inch)



**IMPORTANT NOTICE**

 and **Prisemi**<sup>®</sup> are registered trademarks of **Prisemi Electronics Co., Ltd (Prisemi)** ,Prisemi reserves the right to make changes without further notice to any products herein. Prisemi makes no warranty, representation or guarantee regarding the suitability of its products for any particular purpose, nor does Prisemi assume any liability arising out of the application or use of any product or circuit, and specifically disclaims any and all liability, including without limitation special, consequential or incidental damages. “Typical” parameters which may be provided in Prisemi data sheets and/or specifications can and do vary in different applications and actual performance may vary over time. All operating parameters, including “Typicals” must be validated for each customer application by customer’s technical experts. Prisemi does not convey any license under its patent rights nor the rights of others. The products listed in this document are designed to be used with ordinary electronic equipment or devices, Should you intend to use these products with equipment or devices which require an extremely high level of reliability and the malfunction of with would directly endanger human life (such as medical instruments, aerospace machinery, nuclear-reactor controllers, fuel controllers and other safety devices), please be sure to consult with our sales representative in advance.

Website: <http://www.prisemi.com>

For additional information, please contact your local Sales Representative.

©Copyright 2009, Prisemi Electronics

 **Prisemi**<sup>®</sup> is a registered trademark of Prisemi Electronics.

All rights are reserved.